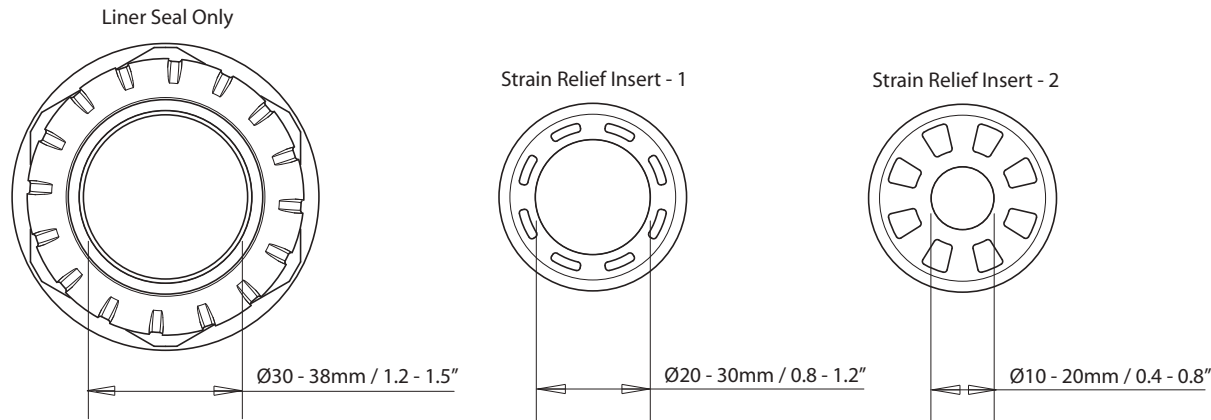
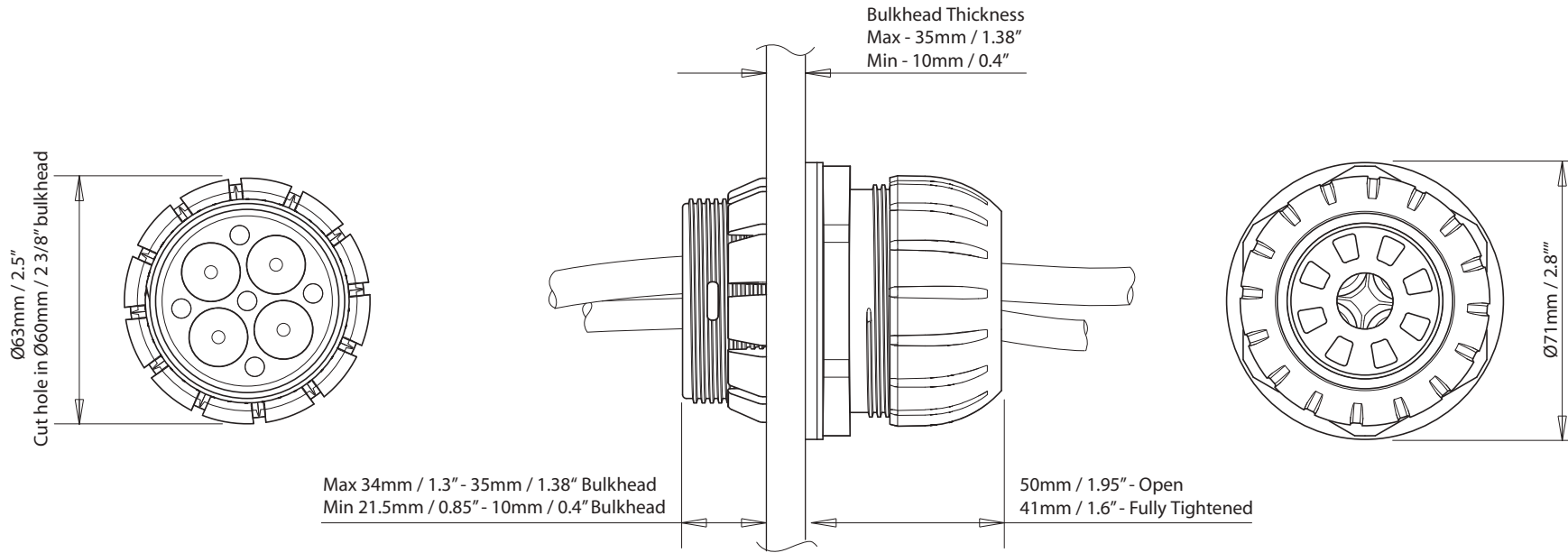


# Through Bulkhead Cable Seal - TBH-4 & TBH-10

For help & information  
 email: [technical@scanstrut.com](mailto:technical@scanstrut.com)  
 tel: +44 (0) 1803 863800



- Dimensions shown represent compression range. Use this as a guide and select best fit for cable loom diameter.

**TBH-4**  
 Up to 4 x cables Ø 7mm (0.28") - Ø 15mm (0.6")

**TBH-10**  
 Up to 10 x cables Ø 5mm (0.2") - Ø 7mm (0.28")

