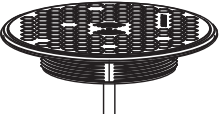





ROKK Wireless Charge Bezel (SC-CW-03E)

Parts List




	Charger	x1
	Bezel & gasket	x1
	No6 x 1/2" self tapping screw	x3


Technical information

Input voltage range :	10-30V DC (12/24V system)
Input current max:	1.5A
Output power:	5W (5V, 1A)
Standby current draw:	< 0.03W
Certifications:	Qi, CE, FCC, ROHS
Waterproof rating:	IPX6 front and back


	Alcohol Wipe	x1
---	--------------	----

Tools Required

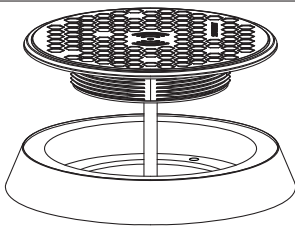
	10mm (3/8") Drill
	Power drill
	1.6mm (1/16") Drill

  READ THE IMPORTANT SAFETY INFORMATION LEAFLET BEFORE INSTALLING

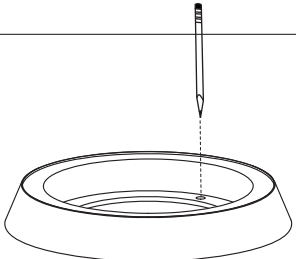
1 Drill hole 10mm (25/64").



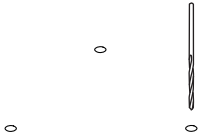
2 Place charger and Bezel over hole to mark screw centres. ****Caution****
Do not remove self adhesive backing from tape, dry fit only.



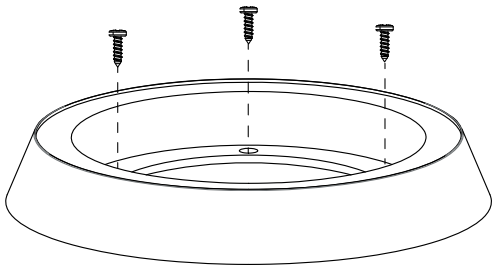
3 Remove and mark hole centres in bezel.



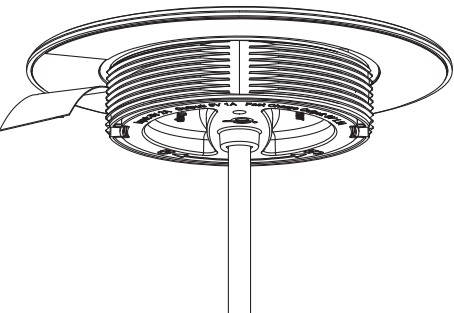
4 Drill 3x 1.6mm (1/16") pilot holes.



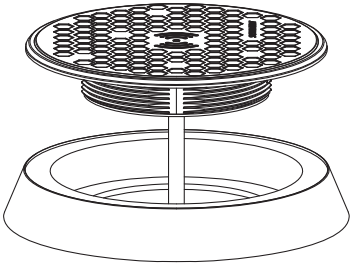
5 Screw Bezel to surface.



6 Remove self adhesive backing from charger.



7 Install charger into bezel.



8 Connect wires to 12-24V supply, ensuring a waterproof connection. Fuse appropriately according to input voltage and current.

