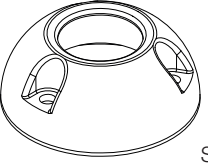
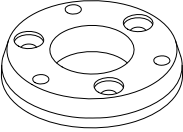
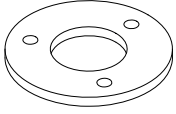

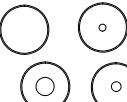
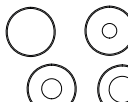
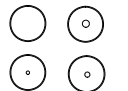
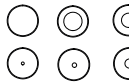


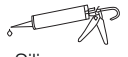




Parts List

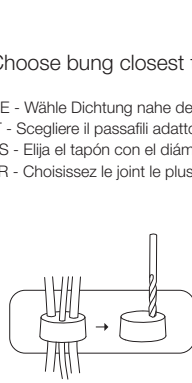
				
Shell x1	Base x1	Gasket x1		
				
M4X10 Bolt - (Black*) x1	DS21A Bungs x4	DS21B Bungs x4	DS16 Bungs x4	DS6 Bungs x6
				
No. 4X16 self tapping screw x4				

Tools Required

	
Pozi Screwdriver	Silicone
	
DS21 - $\varnothing 21\text{mm}$ (0.82") DS16 - $\varnothing 16\text{mm}$ (0.62") DS6 - $\varnothing 6\text{mm}$ (0.23") Hole Saw/ Drill Bit	$\varnothing 2\text{mm}$ (5/64") / 2.5mm (3/32") Drill Bit

① Choose bung closest to cable \varnothing .

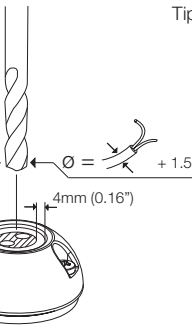
DE - Wähle Dichtung nahe dem Kabel \varnothing .
 IT - Scegliere il passafili adatto al \varnothing del cavo.
 ES - Elija el tapón con el diámetro más parecido al cable.
 FR - Choisissez le joint le plus proche du diamètre du câble.

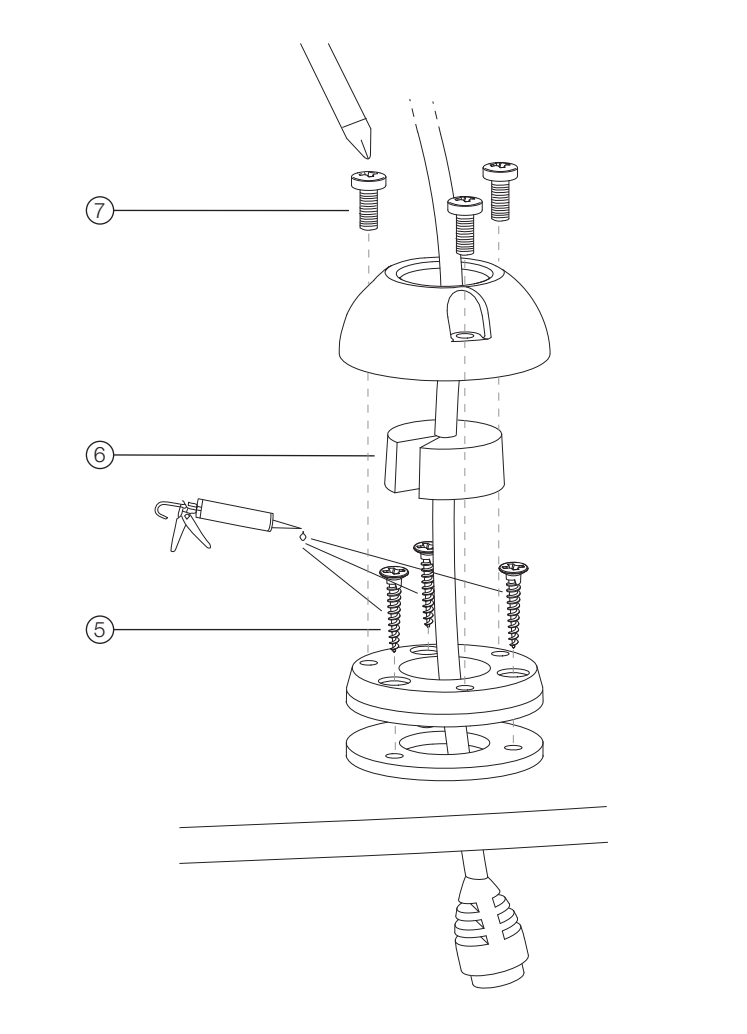
①a 

Tip: freeze before drilling -18°C

$\varnothing = +1.5\text{mm}$

4mm (0.16")

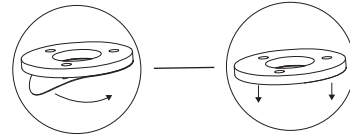
①b 



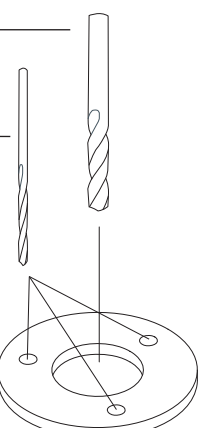
⑦

⑥

⑤

② 

③ 6mm (0.23")
 16mm (0.62")
 21mm (0.82")

④ 

Suggested pilot holes:

Material	No. 4 Screw
Soft Material e.g. plywood	2mm (5/64")
Hard Material e.g. fiberglass, acrylic, hardwoods	2.5mm (3/32")

Share your installation with us.



UK & International
 +44 (0)1392 531280
 sales@scanstrut.com

For further installation
 and warranty information
 please visit:
 www.scanstrut.com

USA
 +1 860 308 1416
 usasales@scanstrut.com