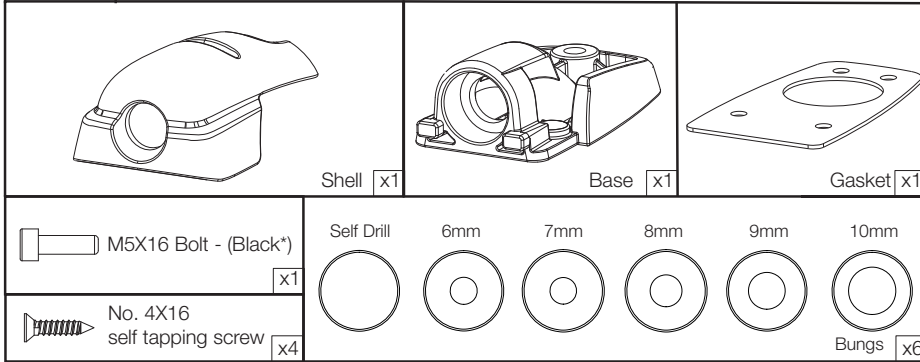


Parts List



Shell x1

Base x1

Gasket x1

M5X16 Bolt - (Black\*) x1

No. 4X16 self tapping screw x4

Self Drill

6mm

7mm

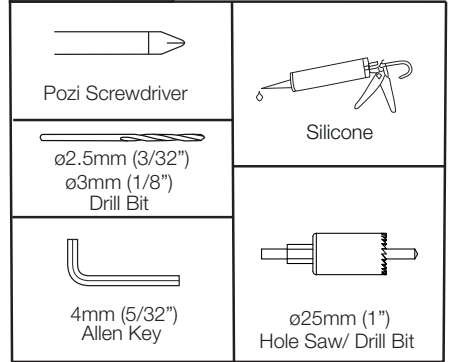
8mm

9mm

10mm

Bungs x6

Tools Required



Pozi Screwdriver

Silicone

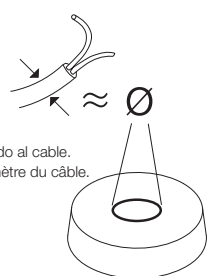
ø2.5mm (3/32")  
ø3mm (1/8")  
Drill Bit

4mm (5/32")  
Allen Key

ø25mm (1")  
Hole Saw/ Drill Bit

① Choose bung closest to cable ø.

DE - Wähle Dichtung nahe dem Kabel ø.  
IT - Scegliere il passafili adatto al ø del cavo.  
ES - Elija el tapón con el diámetro más parecido al cable.  
FR - Choisissez le joint le plus proche du diamètre du câble.



Tip: freeze before drilling

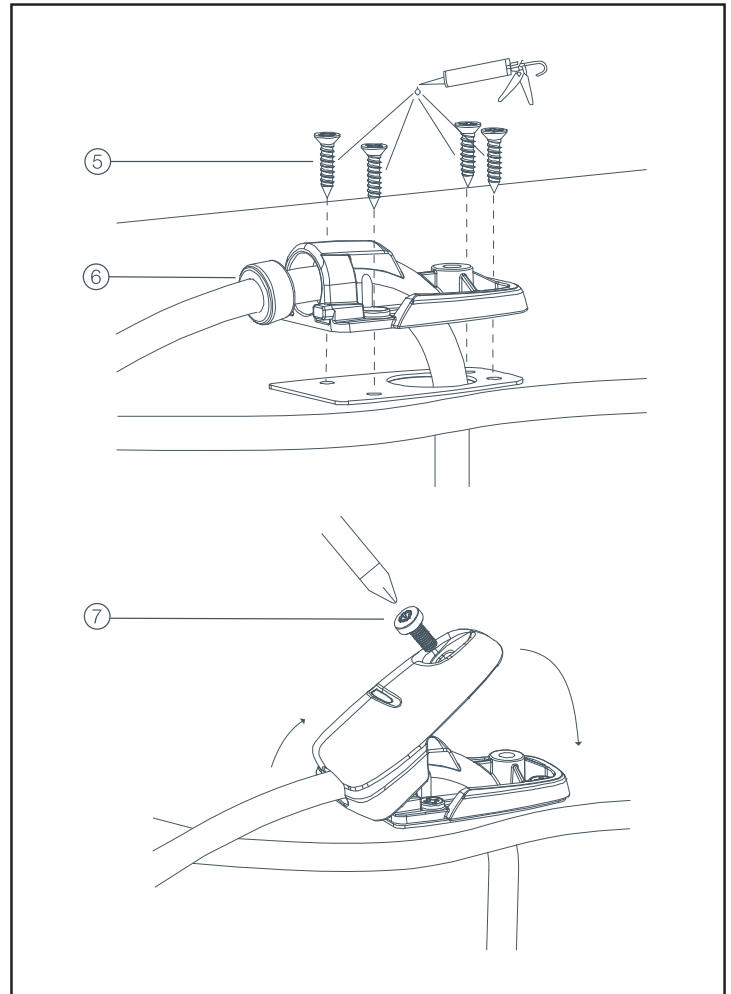
-18°C

± 0.5mm

4mm (0.16")

ø MAX. 10mm (0.39")  
ø MIN. 2mm (0.07")

1a



5

6

7

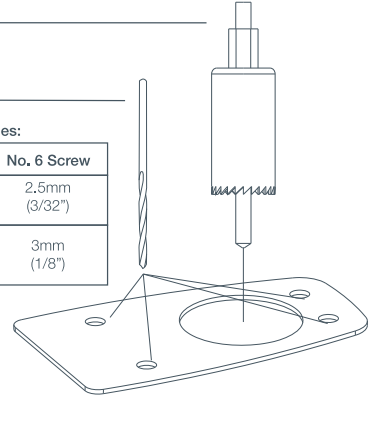
②

③ 25mm (1")

④

Suggested pilot holes:

Material	No. 6 Screw
Soft Material e.g. plywood	2.5mm (3/32")
Hard Material e.g. fiberglass, acrylic, hardwoods	3mm (1/8")



Share your installation with us.



UK & International  
+44 (0)1392 531280  
sales@scanstrut.com

For further installation  
and warranty information  
please visit:  
www.scanstrut.com

USA  
+1 860 308 1416  
usasaes@scanstrut.com

**SCANSTRUT**